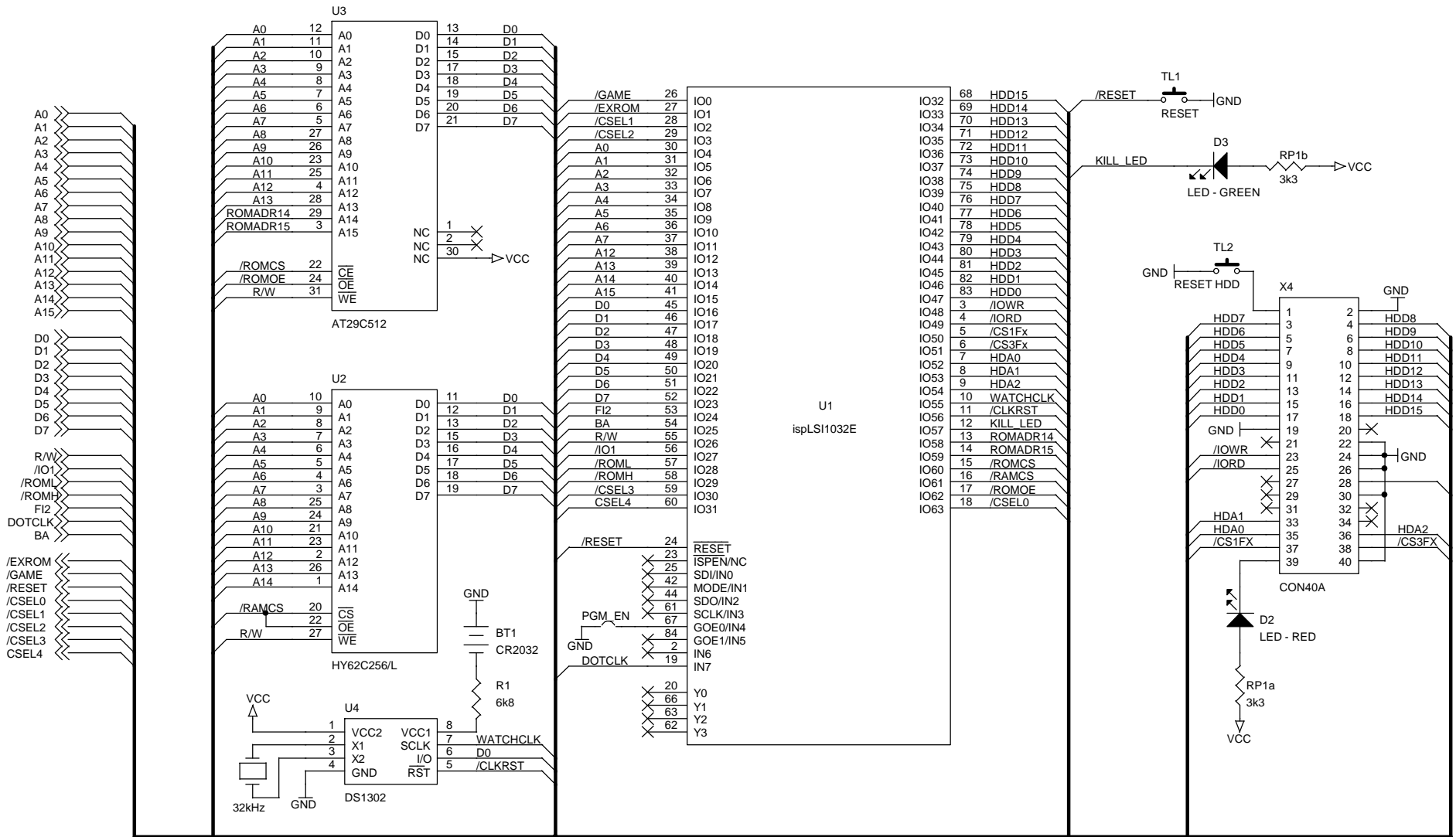


SHORT BUS - CHIP SELECTS	used for
/CSEL0 - active low, R/W \$de00 - \$de0f	serial card #1 (COM1, COM2)
/CSEL1 - active low, R/W \$de10 - \$de1f	serial card #2 (COM3, COM4)
/CSEL2 - active low, R/W \$de38 - \$de47	reserved
/CSEL3 - active low, R/W \$de48 - \$de57	reserved
CSEL4 - active high, R/W \$de58, \$de59	LCD display for debugging

Title		
C64 IDE 2.1 - Expansion Bus		
Size A4	Document Number C64 IDE 2.1	Rev 1
Date:	Tuesday, March 14, 2000	Sheet 1 of 2



Title		
C64 IDE 2.1 - IDE controller and memory		
Size	Document Number	Rev
A4	C64 IDE 2.1	1
Date:	Tuesday, March 14, 2000	Sheet 2 of 2